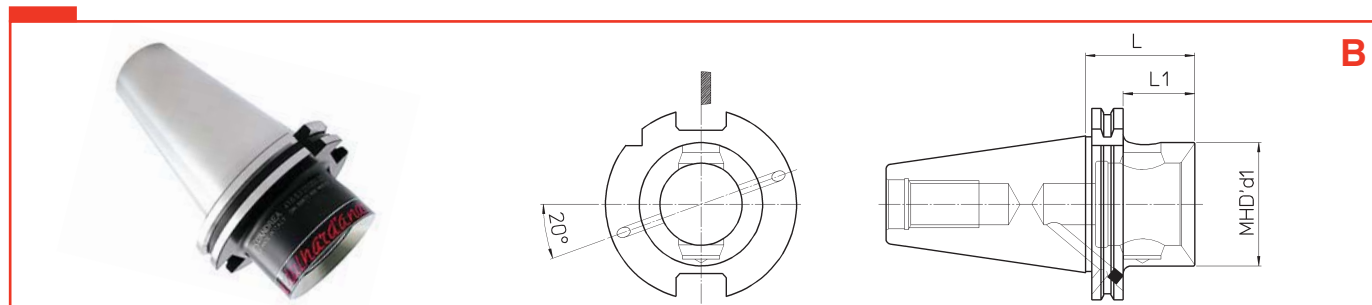
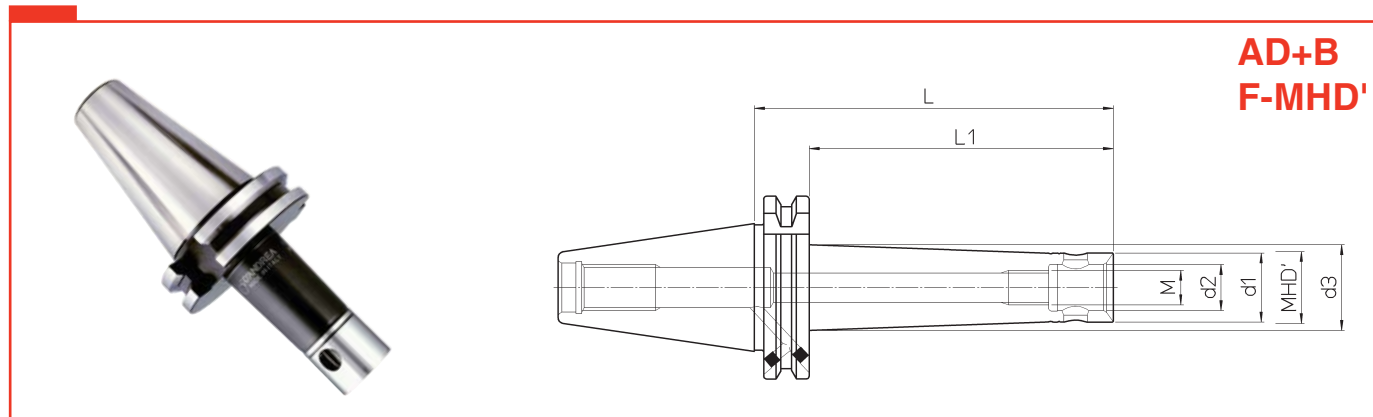


| DIN | REF. | CODE | MHD' d ₁ | L | L ₁ | kg |
|-----|--------------------------|-------------------|---------------------|------|----------------|------|
| 30 | DIN69871-A30 MHD'32.30 | 41 6 32 01 030 20 | 32 | 30 | 11 | 0.4 |
| | DIN69871-A30 MHD'40.45.5 | 41 6 40 01 030 20 | 40 | 45.5 | 26.5 | 0.5 |
| | DIN69871-A30 MHD'50.60 | 41 6 50 01 030 20 | 50 | 60 | — | 0.6 |
| 40 | DIN69871-A40 MHD'40.45 | 41 6 40 01 040 20 | 40 | 45 | 26 | 0.5 |
| | DIN69871-A40 MHD'50.48 | 41 6 50 01 040 20 | 50 | 48 | 29 | 0.9 |
| | DIN69871-A40 MHD'50.56 | 41 6 50 01 040 70 | | 56 | 37 | 1.1 |
| | DIN69871-A40 MHD'63.80 | 41 6 63 01 040 20 | 63 | 80 | — | 1.5 |
| 45 | DIN69871-A45 MHD'50.48 | 41 6 50 01 045 20 | 50 | 48 | 29 | 1.7 |
| | DIN69871-A45 MHD'63.60 | 41 6 63 01 045 20 | 63 | 60 | 41 | 1.9 |
| | DIN69871-A45 MHD'80.66 | 41 6 80 01 045 20 | 80 | 66 | — | 2.2 |
| 50 | DIN69871-A50 MHD'50.48 | 41 6 50 01 050 20 | 50 | 48 | 29 | 2.5 |
| | DIN69871-A50 MHD'63.48 | 41 6 63 01 050 29 | 63 | | | 2.6 |
| | DIN69871-A50 MHD'63.56 | 41 6 63 01 050 20 | | 56 | 37 | 2.8 |
| | DIN69871-A50 MHD'80.48 | 41 6 80 01 050 29 | 80 | 48 | 29 | 3 |
| | DIN69871-A50 MHD'80.62 | 41 6 80 01 050 20 | | 62 | 43 | 3.4 |
| | DIN69871-A50 MHD'110.150 | 41 6 91 01 050 20 | 110 | 150 | — | 7.6 |
| | DIN69871-A50 MHD'140.160 | 41 6 94 01 050 20 | 140 | 160 | — | 10 |
| 60 | DIN69871-A60 MHD'110.100 | 41 6 91 01 060 20 | 110 | 100 | 81 | 10.5 |
| | DIN69871-A60 MHD'110.200 | 41 6 91 01 060 28 | | 200 | 181 | 18 |
| | DIN69871-A60 MHD'140.100 | 41 6 94 01 060 20 | 140 | 100 | 81 | 12.8 |
| | DIN69871-A60 MHD'140.250 | 41 6 94 01 060 28 | | 250 | 231 | 30 |



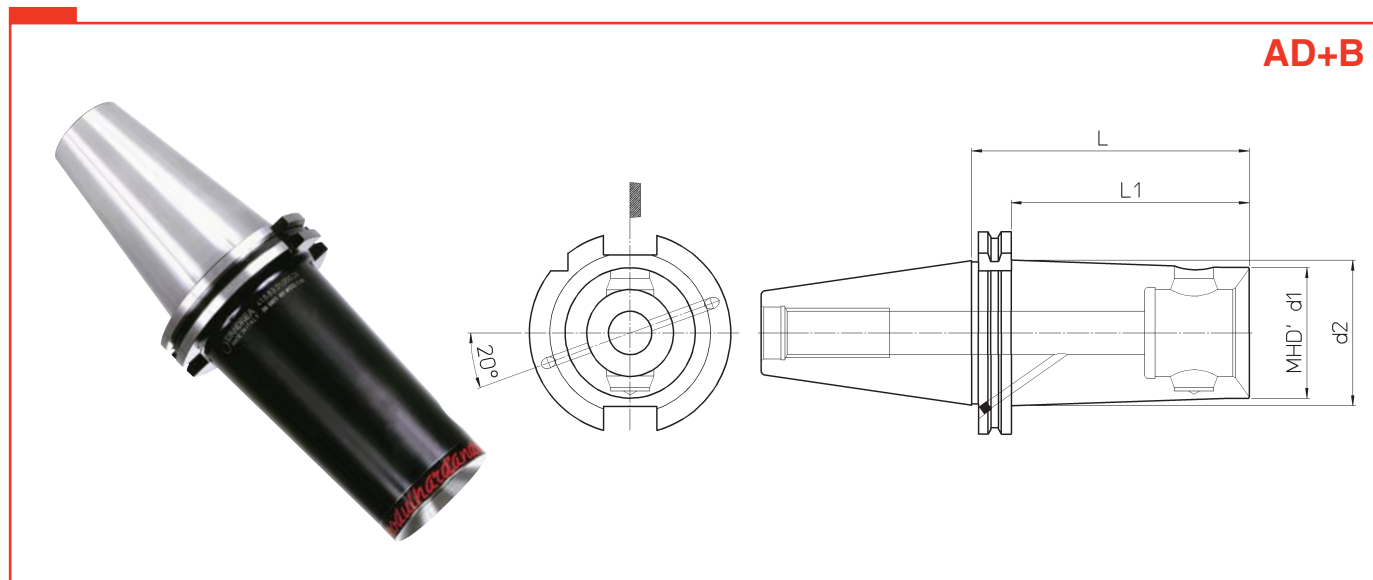
| DIN | REF. | CODE | MHD' d ₁ | L | L ₁ | kg |
|-----|------------------------|-------------------|---------------------|----|----------------|-----|
| 40 | DIN69871-B40 MHD'50.48 | 41 6 50 01 040 21 | 50 | 48 | 29 | 0.9 |
| | DIN69871-B40 MHD'63.80 | 41 6 63 01 040 21 | 63 | 80 | — | 1.5 |
| 45 | DIN69871-B45 MHD'50.48 | 41 6 50 01 045 21 | 50 | 48 | 29 | 1.7 |
| | DIN69871-B45 MHD'63.60 | 41 6 63 01 045 21 | 63 | 60 | 41 | 1.9 |
| | DIN69871-B45 MHD'80.66 | 41 6 80 01 045 21 | 80 | 66 | — | 2.2 |
| 50 | DIN69871-B50 MHD'50.48 | 41 6 50 01 050 21 | 50 | 48 | 29 | 2.7 |
| | DIN69871-B50 MHD'63.56 | 41 6 63 01 050 21 | 63 | 56 | 37 | 2.8 |
| | DIN69871-B50 MHD'80.62 | 41 6 80 01 050 21 | 80 | 62 | 43 | 3.4 |



**AD+B
F-MHD'**

| DIN | REF. | CODE | MHD' | d ₁ | d ₂ | d ₃ | M | L | L ₁ | kg |
|-----|------------------------------|-------------------|------|----------------|----------------|----------------|------|-----|----------------|-----|
| 40 | DIN69871-AD+B40 F-MHD'16.40 | 41 6 16 04 140 21 | 16 | 15.5 | 10 | – | M 8 | 40 | 21 | 0.7 |
| | DIN69871-AD+B40 F-MHD'16.63 | 41 6 16 06 140 21 | | | | 17.5 | | 63 | 44 | 0.8 |
| | DIN69871-AD+B40 F-MHD'16.100 | 41 6 16 10 140 21 | | | | 20 | | 100 | 81 | 0.9 |
| | DIN69871-AD+B40 F-MHD'20.50 | 41 6 20 05 140 21 | 20 | 19.5 | 13 | – | M 10 | 50 | 31 | 0.8 |
| | DIN69871-AD+B40 F-MHD'20.80 | 41 6 20 08 140 21 | | | | 22.5 | | 80 | 61 | 0.9 |
| | DIN69871-AD+B40 F-MHD'20.125 | 41 6 20 12 140 21 | | | | 25.5 | | 125 | 106 | 1 |
| | DIN69871-AD+B40 F-MHD'25.50 | 41 6 25 05 140 21 | 25 | 24 | 16 | – | M 12 | 50 | 31 | 0.9 |
| | DIN69871-AD+B40 F-MHD'25.80 | 41 6 25 08 140 21 | | | | 27 | | 80 | 61 | 1 |
| | DIN69871-AD+B40 F-MHD'25.125 | 41 6 25 12 140 21 | | | | 30 | | 125 | 106 | 1.1 |
| | DIN69871-AD+B40 F-MHD'32.50 | 41 6 32 05 140 21 | 32 | 31 | 20 | – | M 16 | 50 | 31 | 1 |
| | DIN69871-AD+B40 F-MHD'32.80 | 41 6 32 08 140 21 | | | | 33.5 | | 80 | 61 | 1.1 |
| | DIN69871-AD+B40 F-MHD'32.125 | 41 6 32 12 140 21 | | | | 36.5 | | 125 | 106 | 1.2 |

65



AD+B

| DIN | REF. | CODE | MHD' | d ₁ | d ₂ | L | L ₁ | kg |
|-----|----------------------------|-------------------|------|----------------|----------------|-----|----------------|-----|
| 40 | DIN69871-AD+B40 MHD'40.120 | 41 6 40 01 040 28 | 40 | 44.5 | – | 120 | 101 | 1.4 |
| | DIN69871-AD+B40 MHD'50.120 | 41 6 50 01 040 28 | 50 | | | | | 1.7 |
| 50 | DIN69871-AD+B50 MHD'50.120 | 41 6 50 01 050 28 | 50 | 60 | 150 | 131 | 3.5 | |
| | DIN69871-AD+B50 MHD'63.150 | 41 6 63 01 050 28 | 63 | 70 | | | 5 | |
| | DIN69871-AD+B50 MHD'80.180 | 41 6 80 01 050 28 | 80 | – | | | 180 | 161 |

