

# MODULHARD'ANDREA

Arbors

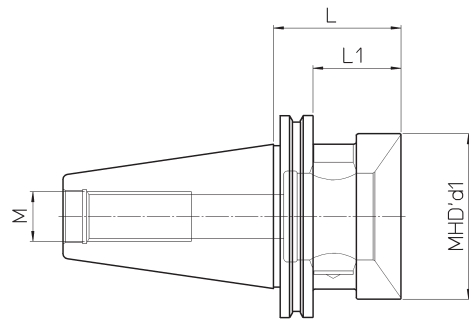
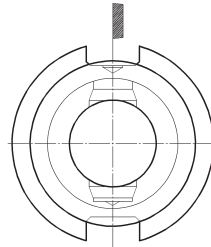
Grundaufnahmen

Державки

Stożki bazowe

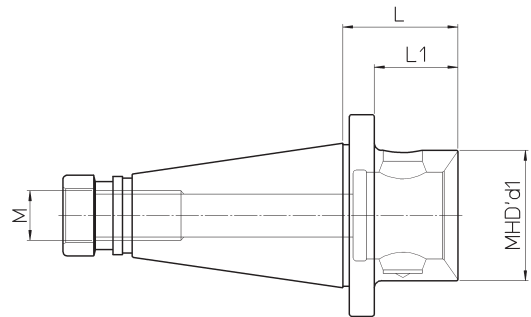
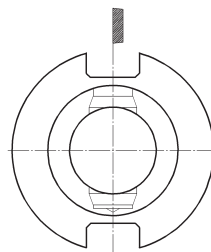
Attacchi base

## ANSI/CAT



ANSI/CAT	REF.	CODE	MHD' d <sub>1</sub>	L	L <sub>1</sub>	M	kg
40	ANSI/CAT40 MHD'50.66	41 6 50 01 040 40	50	66	47	M16	1.1
	ANSI/CAT40 MHD'63.100	41 6 63 01 040 40	63	100	—		1.9
45	ANSI/CAT45 MHD'50.48	41 6 50 01 045 40	50	48	29	M20	1.7
	ANSI/CAT45 MHD'63.75	41 6 63 01 045 40	63	75	56		2.1
	ANSI/CAT45 MHD'80.80	41 6 80 01 045 40	80	80	—		2.7
50	ANSI/CAT50 MHD'50.48	41 6 50 01 050 40	50	48	29	M24	2.4
	ANSI/CAT50 MHD'63.56	41 6 63 01 050 40	63	56	37		2.9
	ANSI/CAT50 MHD'80.62	41 6 80 01 050 40	80	62	43		3.2

## DIN 2080-A 'OTT'



ISO	REF.	CODE	MHD' d <sub>1</sub>	L	L <sub>1</sub>	M	kg
30	DIN2080-A30 MHD'50.58	41 6 50 01 030 00	50	58	—	M12	0.6
40	DIN2080-A40 MHD'50.48	41 6 50 01 040 00	50	48	36.5	M16	0.9
	DIN2080-A40 MHD'63.60	41 6 63 01 040 00	63	60	—		1.2
45	DIN2080-A45 MHD'50.48	41 6 50 01 045 00	50	48	33	M20	1.6
	DIN2080-A45 MHD'63.60	41 6 63 01 045 00	63	60	45		1.9
	DIN2080-A45 MHD'80.66	41 6 80 01 045 00	80	66	—		2.2
50	DIN2080-A50 MHD'50.48	41 6 50 01 050 00	50	48	33	M24	2.6
	DIN2080-A50 MHD'63.56	41 6 63 01 050 00	63	56	41		2.7
	DIN2080-A50 MHD'80.60	41 6 80 01 050 00	80	60	45		3.2

p.272-273

p.228

UNI  
HSK DIN  
MAS-BT

