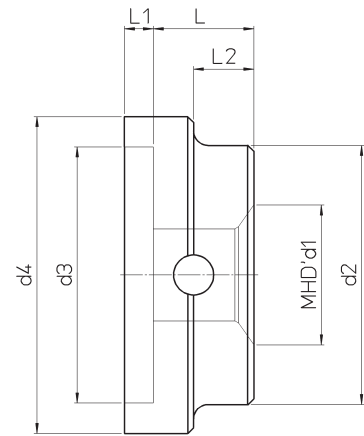
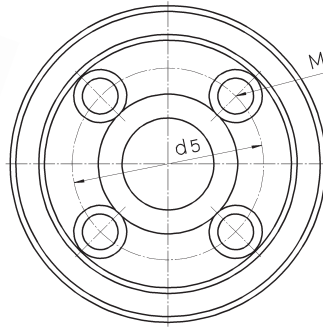
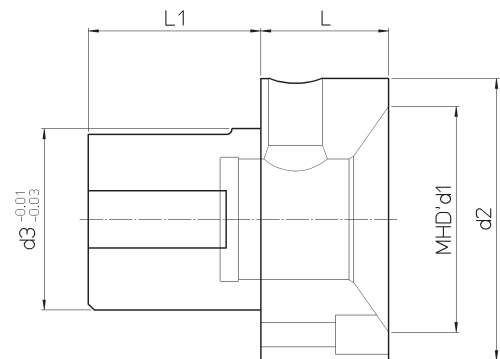
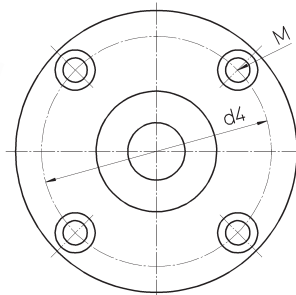


**DIN 2079**


REF.	CODE	MHD' d <sub>1</sub>	d <sub>2</sub>	d <sub>3</sub>	d <sub>4</sub>	d <sub>5</sub>	L	L <sub>1</sub>	L <sub>2</sub>	M	kg
DIN 2079-40.50	41 6 50 20 040 00	50	90	88.89	110	66.7	35	10	21	M12	1.8
DIN 2079-40.63	41 6 63 20 040 00	63					47		31		2
DIN 2079-50.63	41 6 63 20 050 00	80	135	128.57	150	101.6	45	12	36	M16	5.4
DIN 2079-50.80	41 6 80 20 050 00						50		98		5.3
DIN 2079-50.110	41 6 91 20 050 00	110	140				112		98		8.4
DIN 2079-50.140	41 6 94 20 050 00	140					122		108		9.5

**MR**


REF.	CODE	MHD' d <sub>1</sub>	d <sub>2</sub>	d <sub>3</sub>	d <sub>4</sub>	L	L <sub>1</sub>	M	kg
MR 50/80.80	45 02 080 0106 0	63 ~ 80	80	50	65	45	50	M6	1.5
MR 63/98.80	45 02 098 0106 0		98	63	80		60	M8	3.1
MR 80/130.80	45 02 130 0124 0		130	80	104.6		80	M10	6.1